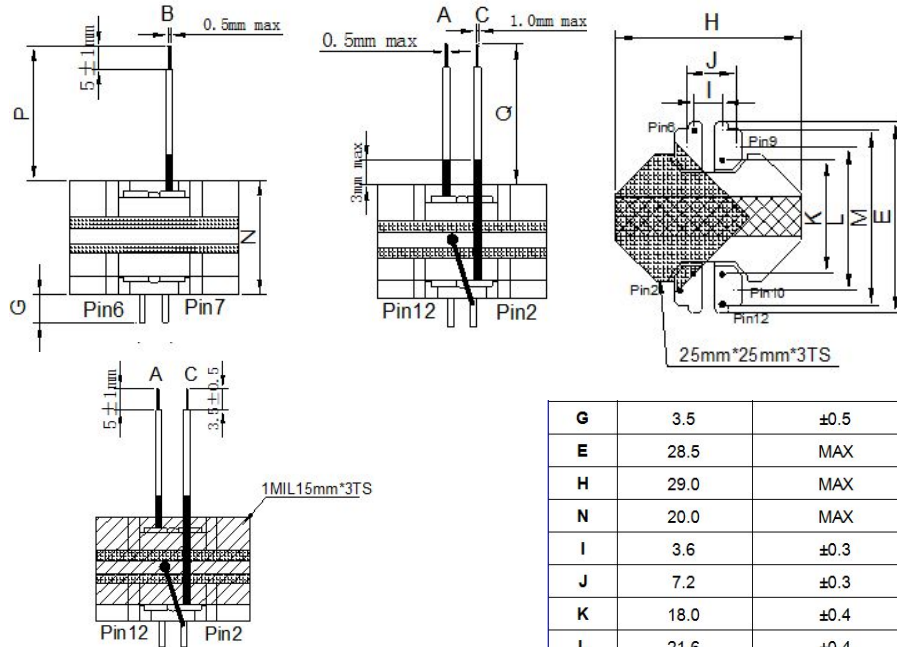


CUSTOMER TERMINAL	ROHS	Lead(Pb)-free
	YES	YES

## 1. Mechanical Dimensions

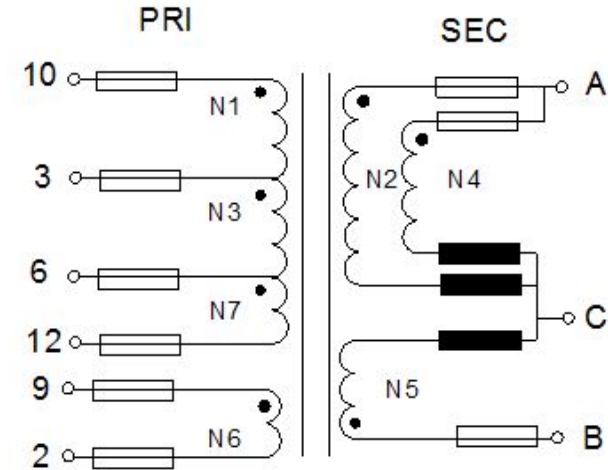


G	3.5	±0.5
E	28.5	MAX
H	29.0	MAX
N	20.0	MAX
I	3.6	±0.3
J	7.2	±0.3
K	18.0	±0.4
L	21.6	±0.4
M	25.2	±0.4
P	35.0	±2.0
Q	45.0	±2.0

## 3. Material List

Core:FW44 RM10  
 Bobbin:FWB1005(6+6PIN)  
 Wire:2UEW TIW  
 Copper foil: 0.025t\*6.0/8.0mm  
 Operating Temperature: -30 to115 °C

## 2. Schematic Diagram



## 4. Electrical Specification

Inductance :  $L(10-12):850\pm5\%uH$  70KHZ , 1.0V  
 Leakage inductance: 15uH MAX 70KHZ , 1.0V  
 DCR :  $(12-10)=0.27\Omega$  MAX  
 Hi-Pot:P-S: AC 60Hz 4000V 1mA 3S  
 S-CORE:AC 60Hz 4000V 1mA 3S

REV.	DATE	 Convention Placement	DRW.	Drawing Title:	Part No:		
0	00/00		CHK.			<b>TRANSFORMER</b>	FWPTRM10V851J-1
			APP.			Customer P/N	Specification Sheet 1of 1
<b>ROHS</b>		<a href="http://www.ferriwo.com">www.ferriwo.com</a>					